

SPARES LIST No. CE 826/63

*This publication incorporates Spares List
NVS 1931 which should be destroyed.*



LUCAS QUALITY
EQUIPMENT AND
SPARE PARTS

1963 - ENFIELD MOTOR CYCLES

JOSEPH LUCAS (Sales & Service) LIMITED
BIRMINGHAM 18 · ENGLAND



EQUIPMENT SPECIFICATIONS AND PAGE INDEX

EQUIPMENT SPECIFICATIONS AND PAGE INDEX

UNIT	See page	248 c.c. "Continental"		250 "Clipper", "Crusader Sports", "Super Sports 5", and Trials, 350 "Bullet"		500 "Sports Twin"		692 c.c. "Constellation"		736 c.c. "Interceptor"	
		Model	Part No.	Model	Part No.	Model	Part No.	Model	Part No.	Model	Part No.
ALTERNATOR	4	RM18	†54021025 47161A 54213903	RM18	†54021025 47161A 54213903	RM15	†047531 469427 423506	RM15	†047531 469427 423506	RM15	†047531 469427 423506
Stator	4	—	—	—	—	—	—	—	—	—	—
Rotor	4	—	—	—	—	—	—	—	—	—	—
ALTERNATOR (Later)	4	—	—	—	—	—	—	—	—	—	—
Stator	4	—	—	—	—	—	—	—	—	—	—
Rotor	4	—	—	—	—	—	—	—	—	—	—
AMMETER	4	2AR	36296A	CZU27	36084F	CZU27	36084F	CZU27	36084F	CZU27	36084F
AMMETER U.S.A.	4	—	—	—	—	—	—	—	—	—	—
BATTERY	—	MLZ9E	54028263	MLZ9E	54028263	—	—	MLZ9E	54028263	MLZ9E	54028263
BATTERY U.S.A.	—	—	—	—	—	—	—	—	—	—	—
CABLE HARNESS	3	—	54933147	—	54930058	—	54930095	—	54930094	—	838481
(Later)	3	—	—	—	54932312	—	54932302	—	—	—	—
CABLE HARNESS (Trials)	3	—	—	—	54930116	—	—	—	—	—	—
(Airflow)	3	—	—	—	839870	—	839870	—	838481	—	838481
COIL, IGNITION	4	MA6	45077E	MA6	45077E	MA6	45077E	MA6	45077E	—	—
(Later)	4	MA6	45152B	MA6	45152B	MA6	45152B	MA6	45152B	—	—
CONTACT BREAKER	4	CA1A	47571E	CA1A	47571E	—	—	—	—	—	—
DISTRIBUTOR	4	—	—	—	—	18D2	40610A	—	—	—	—
HORN	6	8H	70163A	8H	70163A	8H	70163A	HF1234	HF1234	HF1234	*069424 (069225)
HORN PUSH	6	—	—	4A	*76204D	4A	76204D	—	—	4A	76204D
HORN PUSH AND DIPPER SWITCH	6	25SA	31563D	25SA	31563D	—	—	25SA	31563D	25SA	31563D
LAMPS	5	SS700P	58878A	MCF700	50943E	MCF700	50943E	MCF700	50943E	MCF700	50943E
Home and Export, vertical dip	5	F700P	58258B	MCF700P	*58933A	F700P	58258B	F700P	58258B	F700P	58258B
Home and Export, vertical dip (Airflow)	5	—	—	MCF700	58258B	MCF700	51112D	MCF700	51112D	MCF700	51112D
Export Europe (not France)	5	—	—	MCF700	51112D	MCF700	51134D	MCF700	51134D	MCF700	51134D
Export France	5	—	—	MCF700EF	51134D	MCF700EF	51134D	MCF700EF	51134D	MCF700EF	51134D
Export U.S.A.	5	—	—	550	52234A	550	52234A	550	52234A	550	52234A
Pilot	5	546	53394B	564	53394B	564	53432B	564	53432B	564	53432B
Stop tail, number plate and reflex	5	—	—	—	—	—	—	—	—	—	—
MAGNETO	3	—	—	—	—	—	—	—	—	K2F	42369B
RECTIFIER	4	2DS506	49072A	2DS506	49072A	2DS506	49072A	2DS506	49072A	2DS506	49072A
SWITCHES	6	—	—	99	*†31549B (31482)	99	*31549B (31482)	—	—	99	*31549B (31482)
Dipper	6	88SA	34427A/B	88SA	34427A/B	PR1-2	34093B	63SA	54033056	—	—
Ignition	6	—	—	—	—	—	—	—	—	—	—
Knob (order separately)	6	—	—	—	—	—	—	—	—	—	—
Ignition (Later)	6	—	—	—	—	—	—	—	—	—	—
Ignition (Airflow)	6	PR1-2	34093B	PR1-2	34093B	88SA	34427A/B	88SA	34427A/B	88SA	34427A/B
Lighting	6	88SA	34289A	88SA	34289A	PR1-2	*31491A (31684)	U39	*31491A (31684)	U39	*31491A (31684)
Knob (order separately)	6	—	—	—	—	—	—	—	—	—	—
Lighting (later)	6	—	—	—	—	—	—	—	—	—	—
Knob (order separately)	6	—	—	—	—	—	—	—	—	—	—
Lighting (Airflow)	6	41SA	31784A/D	41SA	31784A/D	41SA	31784A/D	41SA	31784A/D	41SA	31784A/D
Magneto (cut out)	6	6SA	31688A/B	6SA	31688A/B	6SA	31688A/B	6SA	31688A/B	6SA	31688A/B
Stop lamp	6	—	—	—	—	—	—	—	—	—	—

† For reference only, serviced by rotor and stator.
 ‡ "Super Sports 5" only.
 * When ordering, quote part number shown in brackets.
 || U.S.A. models.

AMMETERS

Part No.	36084F	36296A
Model	CZU27	2AR
§Nut, terminal	166043	166043
§Washer, terminal	185040	185040
§Ring, rubber	523986	—

CONTACT BREAKER UNIT

Part No.	47571E
Model	CA1A
Plate	465958
Nut, terminal	166094
Washer, plain, terminal	131023
Washer, insulating, terminal	161353
Bush, terminal	419950
§Contact set	420196
§Condenser	54413002
§Cam	465939
§Spring set, auto-advance	421457/S
§Toggles	407131
§Weight	415730
§Sleeve and action plate	469107

ALTERNATORS

Part No.	†047531A	†54021023	†54021025
Model	RM15	RM19	RM18
Rotor	423506	54213901	54213903
§Stator	469427	47164	47161
Clip, cable	54211509	54210167	54213907
Washer, cable clip	131023	131023	131023
‡Rectifier	49072A	49072A	49072A

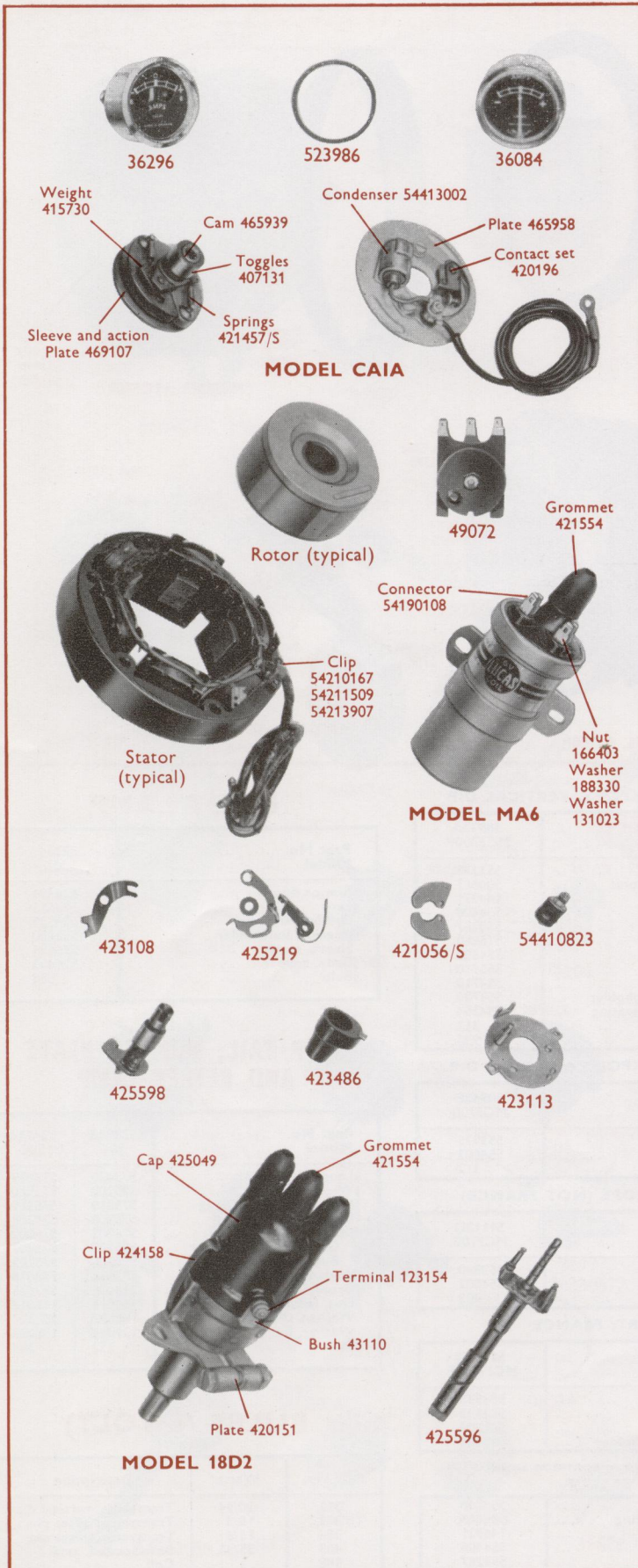
DISTRIBUTOR

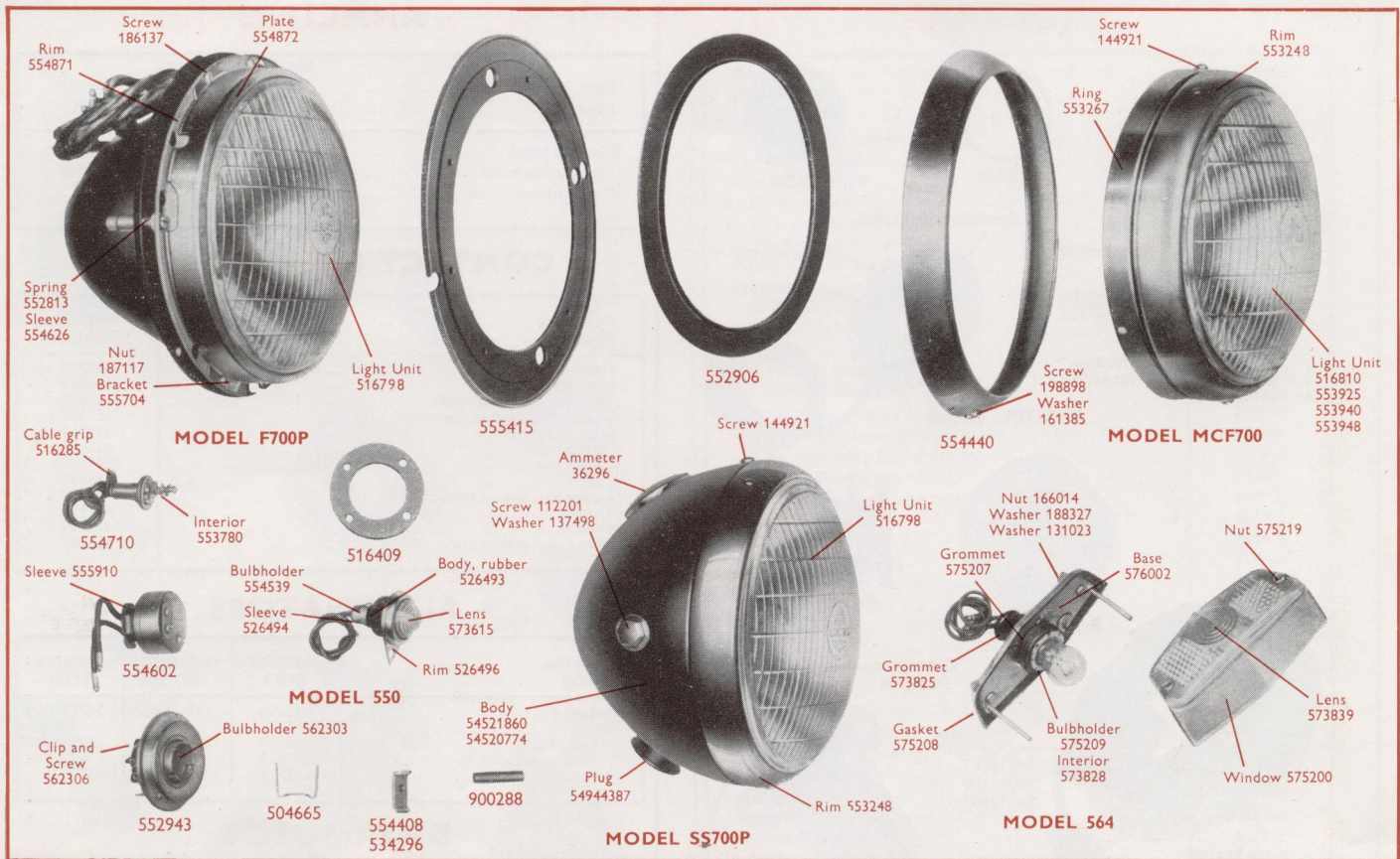
Part No.	40610A
Model	18D2
§Plate clamping	420151
Screw and nut securing	415087
§Cap, distributor	425049
§ Brush and spring	404435
§ Grommet, cap	421554
§ Clip, cable contact	421863
§Rotor arm	423486
Terminal low tension	123154
§Bush, insulating shaped	423110
Bush, insulating plain	423109
Connector, terminal to condenser	423108
§Condenser	54410823
Cover, condenser	421569
§Contact set	425219
§Plate, C.B. base	423113
§Cam	425598
§Spring, automatic advance set	54412732
§Weight (set of 2)	421056/S
§Shaft and action plate	425596
§Clip, cap retaining	424158
§Bush bearing	423121
§Sundry parts set	425243

IGNITION COILS

Part No.	45077E	45152B
Model	MA6	MA6
§Grommet, rubber	421554	421554
§Clip, cable contact	421863	421863
Nut, switch and contact breaker terminal	166043	166043
Washer, shakeproof	188330	188330
Washer, plain	131023	131023
§Connector, Lucar	—	54190108

§ Recommended spares for stock †Order separately
 ‡ For reference only, normally serviced by Stator and Rotor





HEADLAMPS

HOME AND EXPORT, VERTICAL DIP

Part No.	58258A/B
Model	F700P
§Rim	554440
§Screw, rim fixing	198898
Washer, screw retaining	161385
§Nut, rim fixing screw	187117
Bracket, rim fixing	555704
§Excluder, dust	552906
§Plate, light unit retaining	554872
Screw, unit rim	186137
Rim, unit seating	554871
§Light unit	516798
§Bulbholder	554602
§Sleeve, terminal	555910
§Bulbholder, pilot	554710
Interior, pilot bulbholder	553780
Ring, bulbholder, seating	554354
§Gasket, rubber	555415
Spring, trimmer	552813
Sleeve, sealing	554626
§Bulb, main	312
§Bulb, pilot	988

Part No.	58878A	58937A
Model	SS700P	SS700P
§Rim or door	553248	553248
§Wire, light unit fixing	504665	504665
§Screw, rim fixing	144921	144921
Plate, rim fixing	534296	534296
§Ammeter (see page 4 for details)	36296	36296
§Light unit	516798	516798
§Bulbholder, main	554602	554602
§Sleeve, terminal	555910	555910
§Bulbholder, pilot	554710	554710
Interior, pilot bulbholder	553780	553780
Ring, bulbholder, seating	554354	554354
Washer, cable grip pilot	516285	516285
§Screw, lamp fixing	112201	112201
Washer, lamp fixing screw	137498	137498
§Grommet, cable	199002	199002
Plug with cable	54944387	54944387
§Screw, plug fixing	133303	133303
Nut, plug fixing screw	166103	166103
Washer, screw fixing	188412	188412
Ring, plug retaining	516409	516409
Body	54520774	54521860
§Bulb, main	312	312
§Bulb, pilot	988	988

HOME AND EXPORT, VERTICAL DIP

Part No.	58933A
Model	MCF700P
§Rim or door	553248
§Wire, fixing light unit	504665
§Screw, rim fixing	144921
Plate, rim fixing	554408
Ring, fixing	553267
§Light unit	516810
§Bulbholder	554602
§Sleeve, terminal	555910
§Bulbholder, pilot	554710
Interior, pilot bulbholder	553780
Ring, bulbholder, seating	554354
§Bulb, main	312
§Bulb, pilot	988

HOME AND EXPORT, VERTICAL DIP

Part No.	50943E
Model	MCF700
§Light unit	553925
§Bulb holder	554602
§Bulb	312

EXPORT, EUROPE (NOT FRANCE)

Part No.	51112D
Model	MCF700
§Light unit	553940
§Bulbholder	554602
§Bulb	403

EXPORT, FRANCE

Part No.	51134D
Model	MCF700EF
§Light unit	553948
§Backshell	552943
§Bulbholder	562303
Clip and screw, bulbholder	562306

Parts shown below are common to MCF700 lamps above

§Rim or door	553248
§Wire, light unit fixing	504665
§Screw, rim fixing	144921
Plate, rim fixing	554408
Ring, fixing	553267
§Sleeve, terminal	555910

§ Recommended spares for stock

PILOT LAMP

Part No.	52234A
Model	550
§Rim or door	526496
§Lens	573615
Bulbholder shell	554539
§Interior, bulbholder	553780
Sleeve, earth	526494
§Body, rubber	526493
§Bulb	988

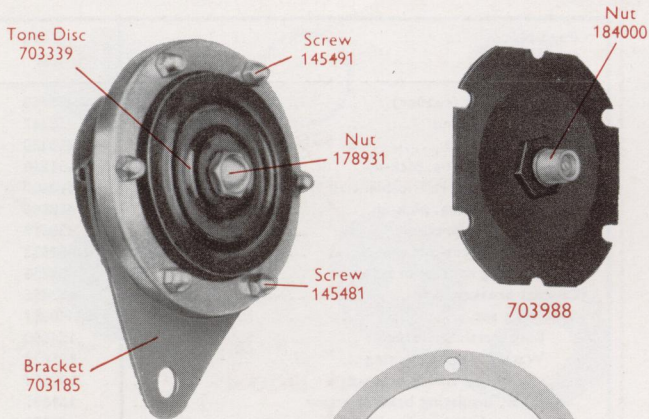
STOP TAIL, NUMBER PLATE AND REFLEX LAMP

Part No.	53394B	53432B
Model	564	564
§Lens	573839	573839
§Window	575200	575200
§Nut, barrel, lens fixing	575219	575219
§Gasket, lens seating	575208	575208
Base	576002	576002
§Grommet, bulbholder	575207	575207
§Bulbholder, shell	575209	575209
§Interior, bulbholder	573828	573828
§Grommet, cable	573825	573825
§Nut, lamp fixing	166014	166014
Washer, shakeproof	188327	188327
Washer, fixing bolt, spacing	131023	131023
§Bulb	352	384

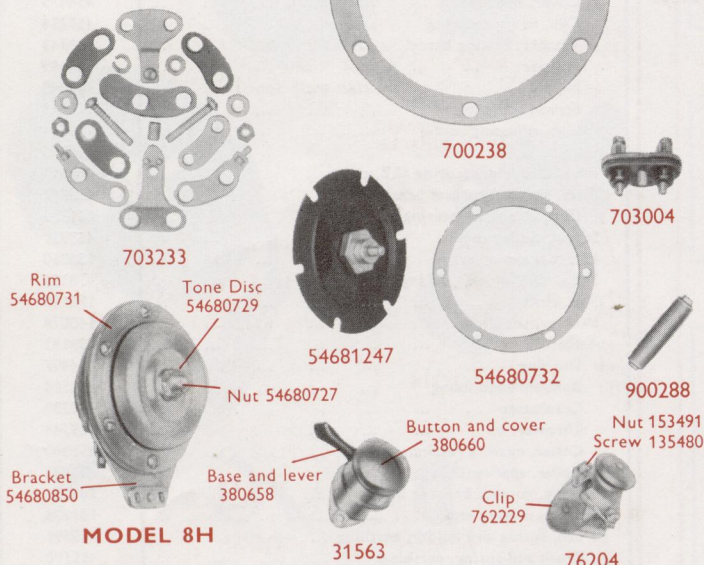
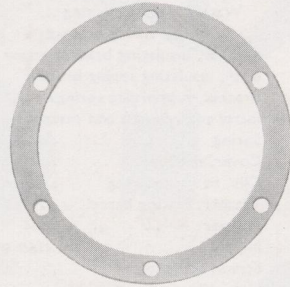
BULBS (6 VOLT)

Bulb No.	Watts	Description
312	30/24	Transverse, vertical dip
352	18/3	Transverse, offset pin
384	18/6	Transverse, offset pin
403	35/35	Bow-hooded, axial
988	3	Coil

HORNS



MODEL HF1234



MODEL 8H

Part No. Model	069424H HF1234	70163A 8H
§Bracket	703185	54680850
Tone disc	703339	54680729
Nut, tone disc	178931	54680727
Screw, bracket (3/8" B.S.F.)	145481	—
Screw, cover fixing	145491	—
§Diaphragm	703988	—
Nut, diaphragm fixing	184000	—
Washer, diaphragm packing	700238	54680732
Diaphragm and armature	—	54681247
Rim	—	54680731
§Contact set	703233	—
Terminal block	703004	—
§Sundry parts, set	703235	54681085

HORN PUSH AND DIPPER SWITCH

Part No. Model	31563D 25SA
Button and cover	380660
Base and lever	380658
§Screw, terminal	120610

HORN PUSH OR CUT-OUT SWITCH

Part No. Model	76204D 4A
§Screw, terminal	119520
Clip, fixing	762229
§Screw, fixing	135480
§Nut, fixing	153491

DIPPER SWITCH

Part No. Model	31549B 99
§Screw, fixing	121964
Clip	380427

LIGHTING SWITCHES

Part No. Model	31491A U39	31784A/D 41SA	34289A 88SA
§Handle or knob	351567	351815	†54330934
Screw, fixing	126544	127301	—
§Washer, fixing screw	188408	185038	—
§Screw, terminal	120560	120560	—
Shaft, headpiece	351773	54330517	—
Roller	351660	351660	—
Plunger	351661	351661	—
Spring	351662	351662	—
Lever, contact	351528	351528	—
Spring or nut, switch fixing	308234	173777	180316
§Ring or washer, switch fixing	523986	188303	185128
Nut, contact stud	166103	—	—
§Socket with cables	—	—	†54930007

IGNITION SWITCHES

Part No. Model	34093B PR1-2	54033056 63SA	34427B 88SA
Knob	—	†54331351	—
§Key, ignition	344715	—	54336176
§Cover, rubber	344729	332521	—
§Screw, terminal	132464	—	—
§Washer, terminal screw	185000	—	—
Nut, front fixing	184011	—	54336177
Nut, rear fixing	180676	—	—
Cover, fixing nut	—	—	54336178
§Connector	—	900269	—
§Connector, tube, single	—	900288	—
§Socket with cables	—	—	†54930008

STOP LAMP SWITCH

Part No. Model	31688A/B 6SA
Cover, terminal, rubber	360363
§Sleeve, terminal	188818

§Recommended spares for stock

†Supplied separately